



ER-6P Quick Start Guide

Package Contents



EdgeRouter ER-6P



Wall Mount Screws (Qty. 2)



Wall Mount Anchors (Qty. 2)



Ground Screw



Power Cord



Power Adapter (24V, 2.5A)



Cable Clip

Installation Requirements

- Drill with a 6 mm drill bit (for wall-mounting)
- Phillips screwdriver
- For indoor applications, use Category 5 (or above) UTP cabling approved for indoor use.
- For outdoor applications, shielded Category 5 (or above) cabling should be used for all wired Ethernet connections and should be grounded through the AC ground of the power supply.



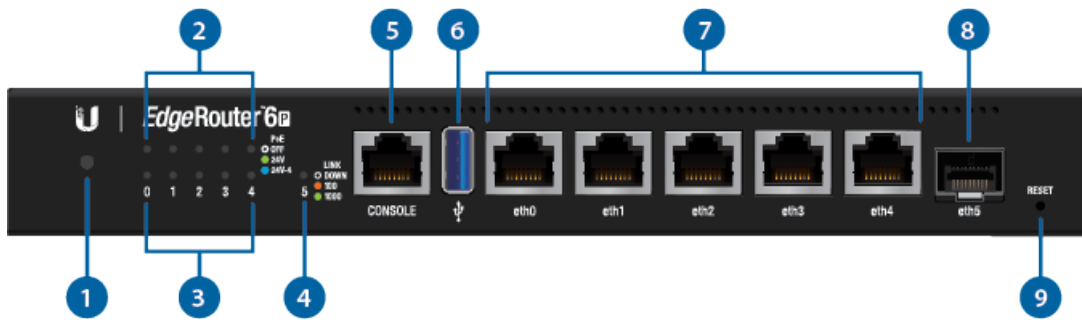
ER-6P Quick Start Guide

Ethernet cable from Ubiquiti. For more details, visit: ui.com/toughcable

! WARNING: To reduce the risk of fire or electric shock, do not expose the EdgeRouter to rain or moisture.

Note: Although the cabling can be located outdoors, the EdgeRouter itself should be housed inside a protective enclosure.

Hardware Overview



Note: The System LED functionality has been updated with firmware v1.10.7. We recommend that you update the EdgeRouter to the latest firmware.

1 System LED	
Flashing White	Bootup in progress.
White	Ready for use, not connected to Ubiquiti Internet Service Provider (UISP™).
Blue	Ready for use, connected to UISP.
Steady Blue with Occasional Flashing	Ready for use, unable to connect to UISP, check connection to UISP server.
Quickly Flashing Blue	Used to locate a device in UISP.
Alternating Blue/White	Firmware upgrade in progress.
2 RJ45 PoE LED (0 - 4)	
Off	No PoE
Green	24V 2-Pair Passive PoE Output



ER-6P Quick Start Guide

3 RJ45 Speed/Link/Act LED (0 - 4)	
Off	No Link
Amber	Link Established at 10/100 Mbps
Amber Flashing	Link Activity at 10/100 Mbps
Green	Link Established at 1000 Mbps (1 Gbps)
Green Flashing	Link Activity at 1000 Mbps (1 Gbps)
4 SFP Link/Act LED (5)	
Off	No Link
Green	Link Established at 1 Gbps
Green Flashing	Link Activity at 1 Gbps
5 Console	
RJ45 serial console port for Command Line Interface (CLI) management.	
6 USB	
Reserved for future use.	
7 RJ45 Ports (eth0 - eth4)	
RJ45 ports support 10/100/1000 Ethernet connections.	
8 SFP Port (eth5)	
SFP port is hot-swappable and supports Gigabit fiber SFP modules.	
9 Reset Button	
Click here to learn how to reset an EdgeRouter to factory defaults.	

Hardware Installation

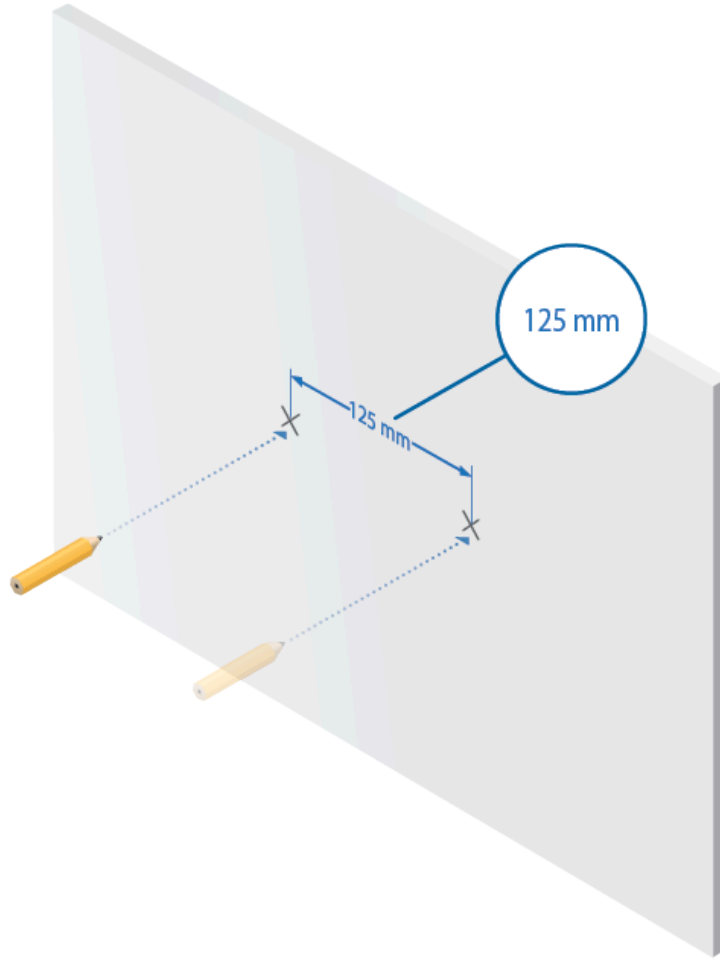


WARNING: FAILURE TO PROVIDE PROPER VENTILATION MAY CAUSE FIRE HAZARD. KEEP AT LEAST 20 MM OF CLEARANCE NEXT TO THE VENTILATION HOLES FOR ADEQUATE AIRFLOW.



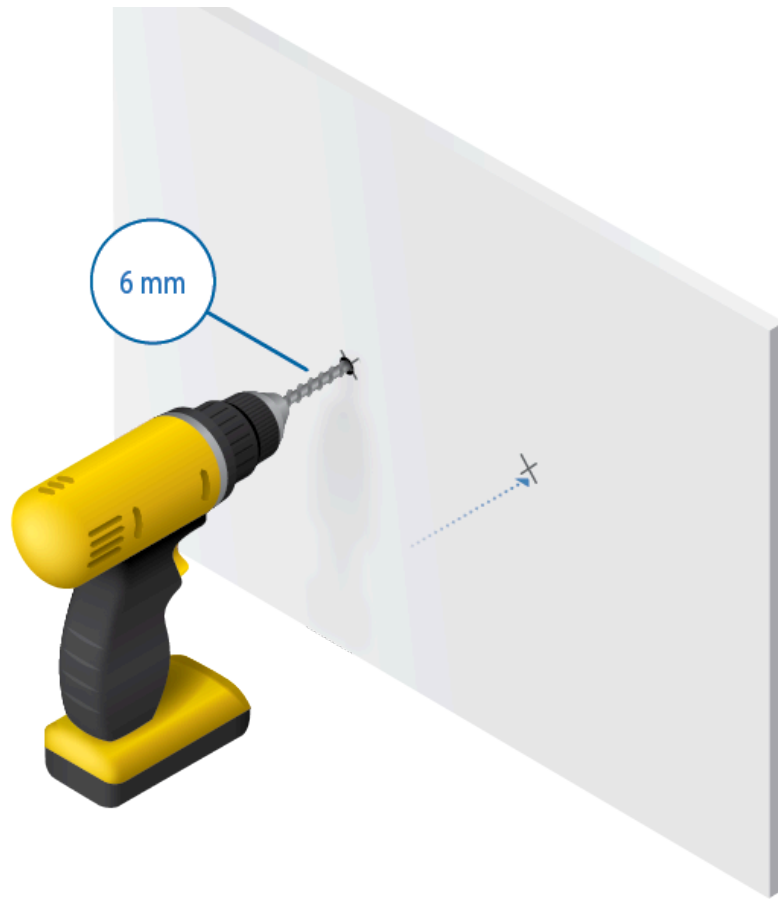
ER-6P Quick Start Guide

1.

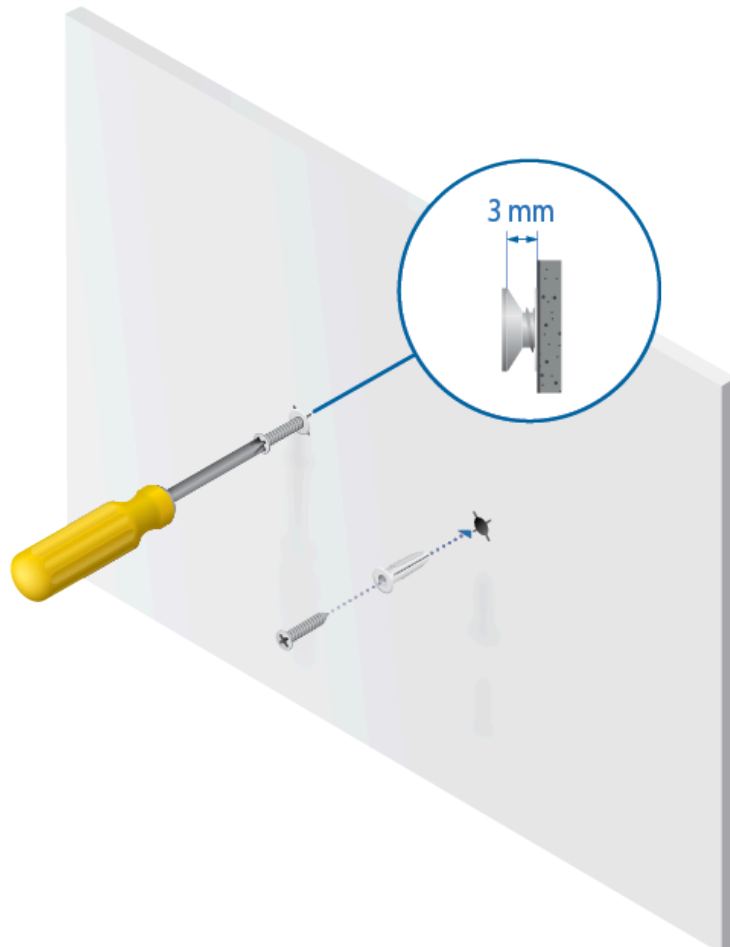




ER-6P Quick Start Guide

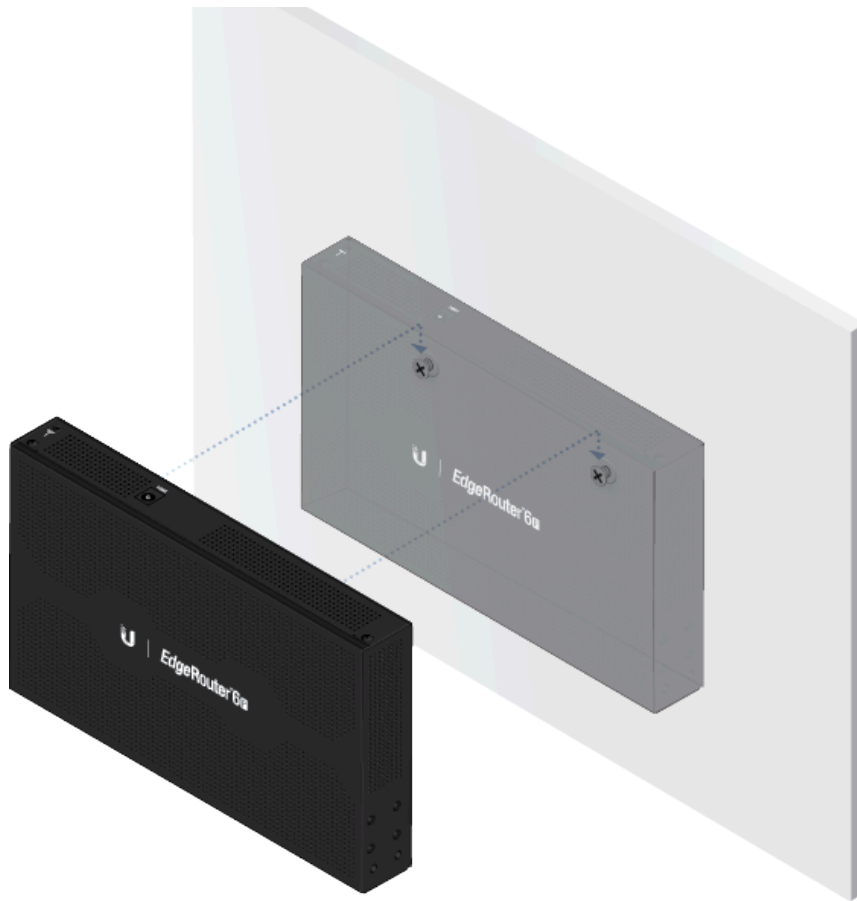


3.





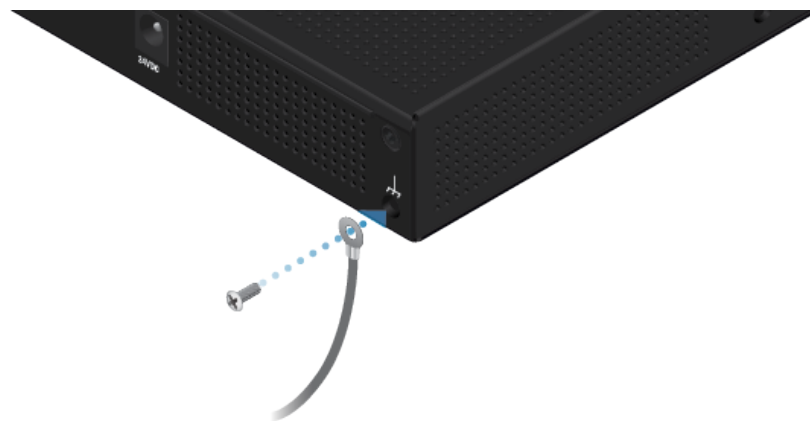
ER-6P Quick Start Guide



Grounding the EdgeRouter (Recommended)

The Power Adapter grounds the device; however, you can add optional ESD grounding for enhanced ESD protection.

1. Attach the Ground Screw to secure a ground wire (not included) to the Grounding Point.



2. Optional: To secure the Power Adapter cord, insert it into the Cable Clip and secure the Cable Clip using the Ground Screw.
3. Secure the other end of the ground wire to a grounding block.

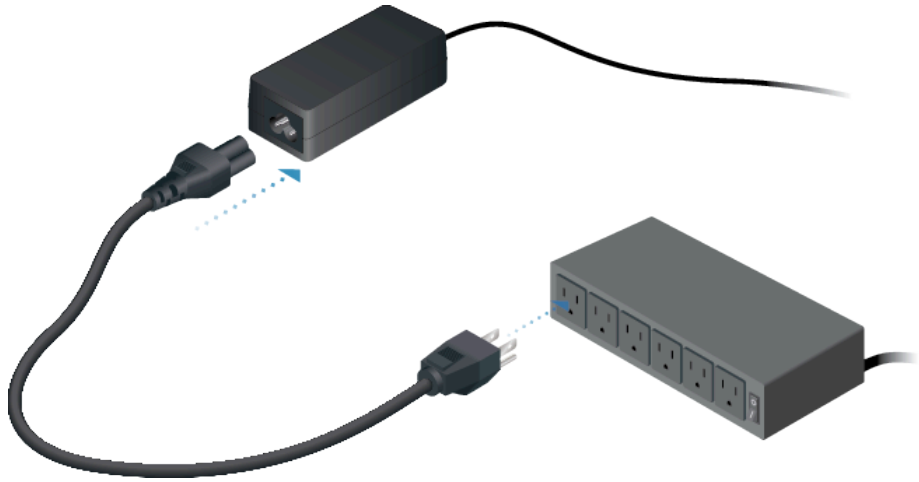
Connecting Power



ER-6P Quick Start Guide



2.



Using SFP Ports

1.





ER-6P Quick Start Guide



3.



For information about compatible fiber SFP modules, visit:
ubnt.link/SFP_DAC_Compatibility

Accessing the EdgeOS Configuration Interface

The EdgeOS® configuration interface can be accessed via DHCP or static IP address assignment. By default, eth1 is set up as a DHCP client, while eth0 is assigned a static IP address of 192.168.1.1. To configure the EdgeRouter, proceed to the appropriate section: DHCP or [“Static IP Address”](#).

DHCP



ER-6P Quick Start Guide



2. To check the IP address of the EdgeRouter, use one of the following methods:
 - Set up the DHCP server to provide a specific IP address to the EdgeRouter based on its MAC address (on the label).
 - Let the EdgeRouter obtain an IP address and then check the DHCP server to see which IP address was assigned.
3. Launch your web browser. Enter the appropriate IP address in the address field. Press enter (PC) or return (Mac).
4. Enter ubnt in the Username and Password fields. Read the Ubiquiti License Agreement, and check the box next to I agree to the terms of this License Agreement to accept it. Click Login.

The EdgeOS Configuration Interface will appear, allowing you to customize your settings as needed. For more information, refer to the EdgeOS User Guide, which is available at ui.com/download/edgemax

For more information on PoE configuration, refer to [“Configuring PoE Settings”](#).

Static IP Address

1. Connect an Ethernet cable from the Ethernet port on your computer to the port labeled eth0 on the EdgeRouter.



ER-6P Quick Start Guide



2. Configure the Ethernet adapter on your host system with a static IP address on the 192.168.1.x subnet.
3. Launch your web browser. Type <https://192.168.1.1> in the address field. Press enter (PC) or return (Mac).
4. Enter `ubnt` in the Username and Password fields. Read the Ubiquiti License Agreement, and check the box next to I agree to the terms of this License Agreement to accept it. Click Login.

The EdgeOS Configuration Interface will appear, allowing you to customize your settings as needed. For more information, refer to the EdgeOS User Guide, which is available at ui.com/download/edgemax

For more information on PoE configuration, refer to [“Configuring PoE Settings”](#).

UISP Management

You can manage your device using UISP, which lets you configure, monitor, upgrade, and back up your devices using a single application. Get started at uisp.ui.com

Configuring PoE Settings

The PoE setting for ports eth0-eth4 is set to Off by default.

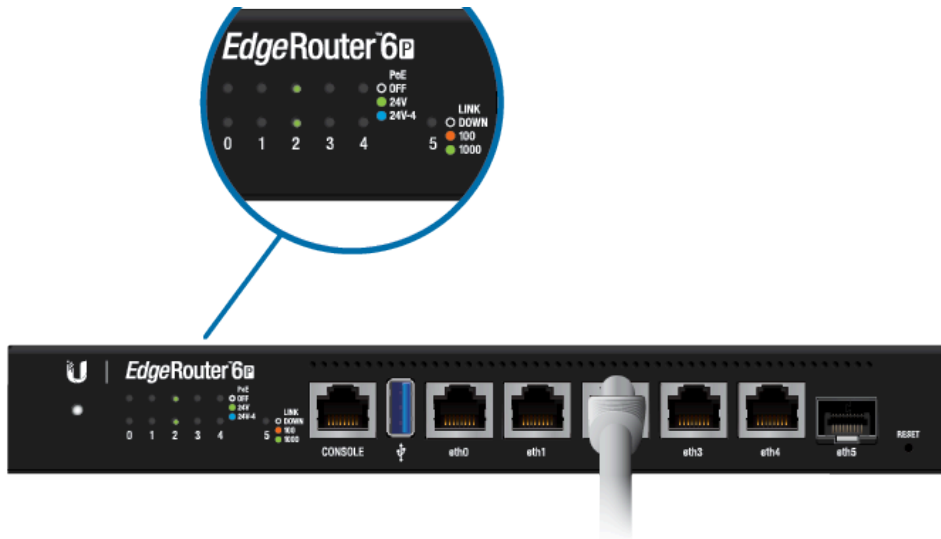


WARNING: Before activating PoE, ensure that the connected device supports passive PoE and the supplied voltage.

1. In the Dashboard tab, click Actions > PoE of the Ethernet port you want to configure.
2. Select the appropriate PoE setting, and click Save.
3. The Ethernet port's PoE LED will confirm the PoE setting.



ER-6P Quick Start Guide



Specifications

ER-6P	
Dimensions	229 x 136.5 x 31.1 mm (9.02 x 5.37 x 1.22")
Weight	730 g (1.61 lb)
Max. Power Consumption	16W (Excludes PoE Output)
Power Method	External AC/DC Power Adapter, 60W (24V, 2.5A) (Included)
Power Supply	External AC/DC Adapter
Passive PoE Configurations	Off/24V 2-Pair/24V 4-Pair
Voltage Range	24V
Max. Power per Port	12W
Supported Voltage Range	100-240VAC, 50/60 Hz Universal Adapter 30-16V
Button	Reset
LEDs Data Ports	Speed/Link/Activity, PoE
SFP Data Port	Link/Activity
Processor	4-Core 1 GHz MIPS64
System Memory	1 GB DDR3 RAM
On-Board Flash Storage	4 GB eMMC, 8 MB SPI NOR
ESD/EMP Protection	Air: ± 24 kV, Contact: ± 24 kV
Interfaces Management	(1) RJ45 Serial Port (6) Ethernet Ports (Default eth0)



ER-6P Quick Start Guide

	(1) 1 Gbps SFP Port
Operating Temperature	-10 to 50° C (14 to 122° F)
Operating Humidity	10 - 90% Noncondensing
Certifications	CE, FCC, IC

PoE with 24VDC Power Adapter	
PoE Interfaces	(5) 24V Passive PoE Ports, 2-pair (4, 5+; 7, 8-) and 4-pair
Passive PoE Max. Wattage Per Port	24W (24V, 1A, 4-pair) 12W (24V, 0.5A, 2-pair)
Passive PoE Voltage Range	24V

Safety Notices

1. Read, follow, and keep these instructions.
2. Heed all warnings.
3. Only use attachments/accessories specified by the manufacturer.



WARNING: Failure to provide proper ventilation may cause fire hazard. Keep at least 20 mm of clearance next to the ventilation holes for adequate airflow.



WARNING: To reduce the risk of fire or electric shock, do not expose this product to rain or moisture.



WARNING: Do not use this product in location that can be submerged by water.



WARNING: Avoid using this product during an electrical storm. There may be a remote risk of electric shock from lightning.

Electrical Safety Information

1. Compliance is required with respect to voltage, frequency, and current requirements indicated on the manufacturer's label. Connection to a different power source than those specified may result in improper operation, damage to the equipment or pose a fire hazard if the limitations are not followed.
2. There are no operator serviceable parts inside this equipment. Service should be provided only by a qualified service technician.
3. This equipment is provided with a detachable power cord which has an integral safety ground wire intended for connection to a grounded safety outlet.
 - a. Do not substitute the power cord with one that is not the provided approved type. Never use an adapter plug to connect to a 2-wire outlet as this will defeat the continuity of the grounding wire.
 - b. The equipment requires the use of the ground wire as a part of the safety certification, modification or misuse can provide a shock hazard that can result in serious injury or



ER-6P Quick Start Guide

installation prior to connecting the equipment.

- d. Protective earthing is provided by Listed AC adapter. Building installation shall provide appropriate short-circuit backup protection.
- e. Protective bonding must be installed in accordance with local national wiring rules and regulations.

Limited Warranty

ui.com/support/warranty

The limited warranty requires the use of arbitration to resolve disputes on an individual basis, and, where applicable, specify arbitration instead of jury trials or class actions.

Compliance

FCC

Changes or modifications not expressly approved by the party responsible for compliance could void the user's authority to operate the equipment.

This device complies with Part 15 of the FCC Rules. Operation is subject to the following two conditions.

1. This device may not cause harmful interference, and
2. This device must accept any interference received, including interference that may cause undesired operation.

This equipment has been tested and found to comply with the limits for a Class A digital device, pursuant to Part 15 of the FCC Rules. These limits are designed to provide reasonable protection against harmful interference when the equipment is operated in a commercial environment. This equipment generates, uses, and can radiate radio frequency energy and, if not installed and used in accordance with the instruction manual, may cause harmful interference to radio communications. Operations of this equipment in a residential area is likely to cause harmful interference in which case the user will be required to correct the interference at his own expense.

ISED Canada

CAN ICES-3(A)/NMB-3(A)

Australia and New Zealand



Warning: This equipment is compliant with Class A of CISPR 32. In a residential environment this equipment may cause radio interference.

CE Marking

CE marking on this product represents the product is in compliance with all directives that are applicable to it.





Declaration of Conformity

Online Resources



© 2024 Ubiquiti Inc. All rights reserved.